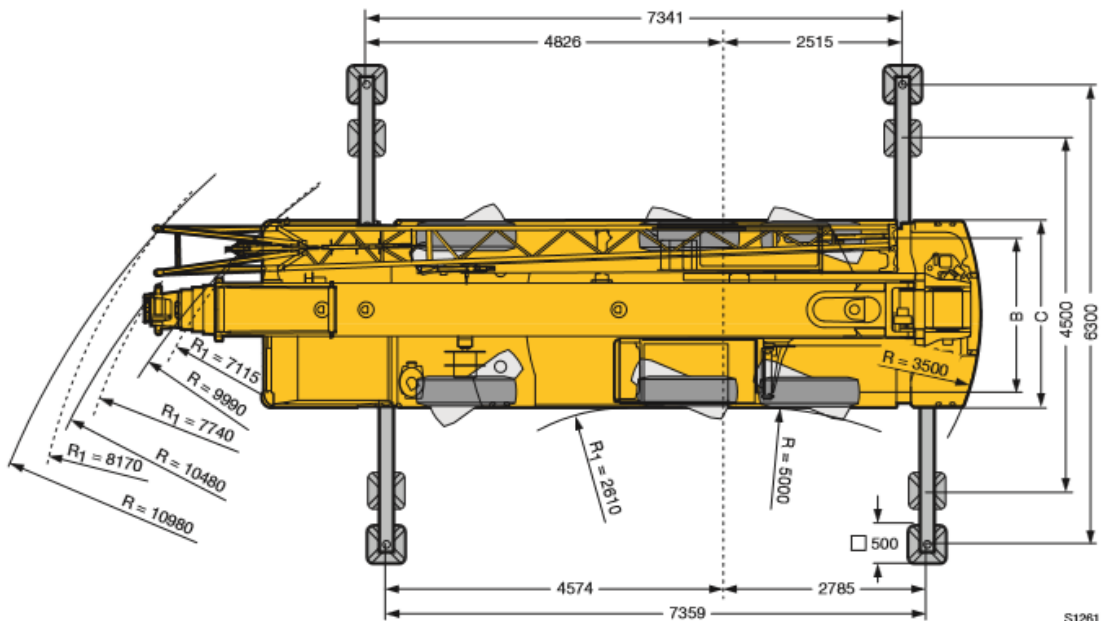
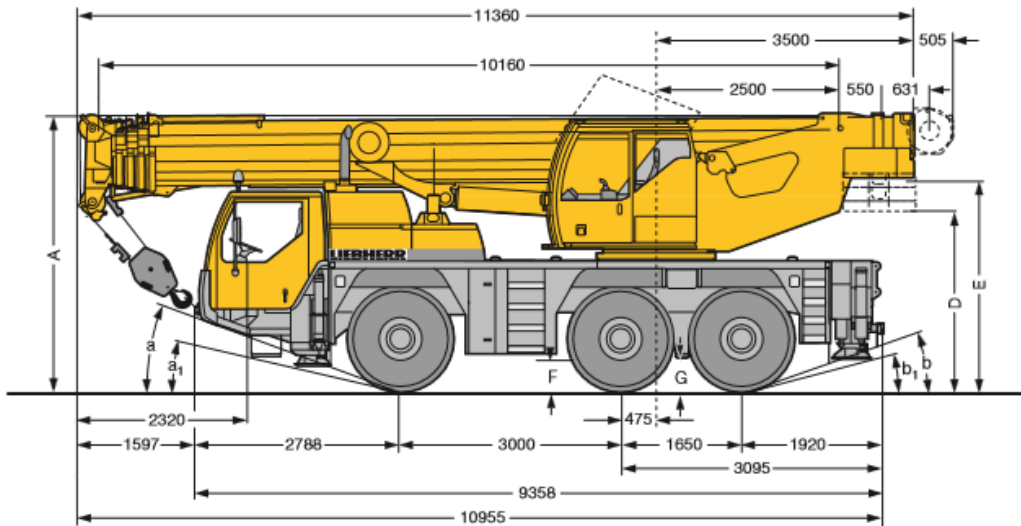




## LIEBHERR LTM 1055/1



R<sub>1</sub> = Allradlenkung / All-wheel steering / Direction toutes roues

⊙	Maße / Dimensions / Encombrement mm											
	A	A 100 mm*	B	C	D	E	F	G	α	α <sub>1</sub>	β	β <sub>1</sub>
14.00 R 25	3700	3600	2123	2540	2310	2820	410	370	20°	14°	20°	14°
16.00 R 25	3750	3650	2231	2680	2360	2870	460	420	21°	15°	21°	15°
20.5 R 25	3750	3650	2273	2820	2360	2870	460	420	21°	15°	21°	15°

\* abgesenkt / lowered / abaissé